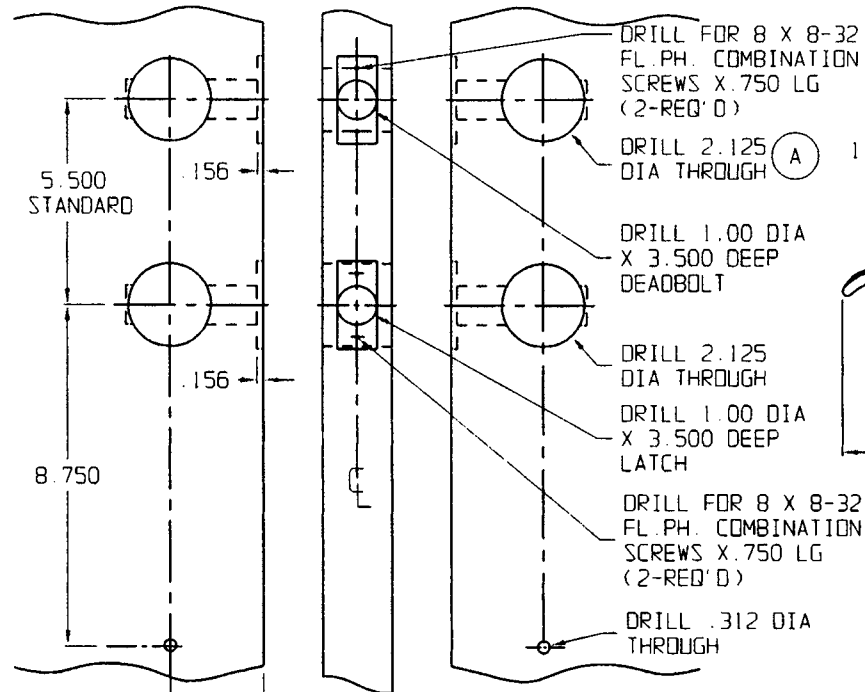
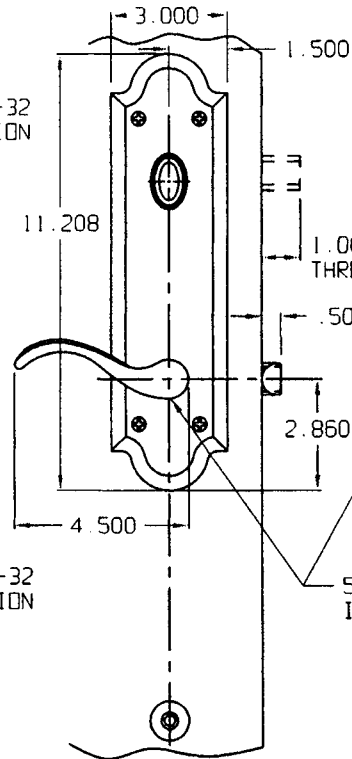


# DOOR DETAIL

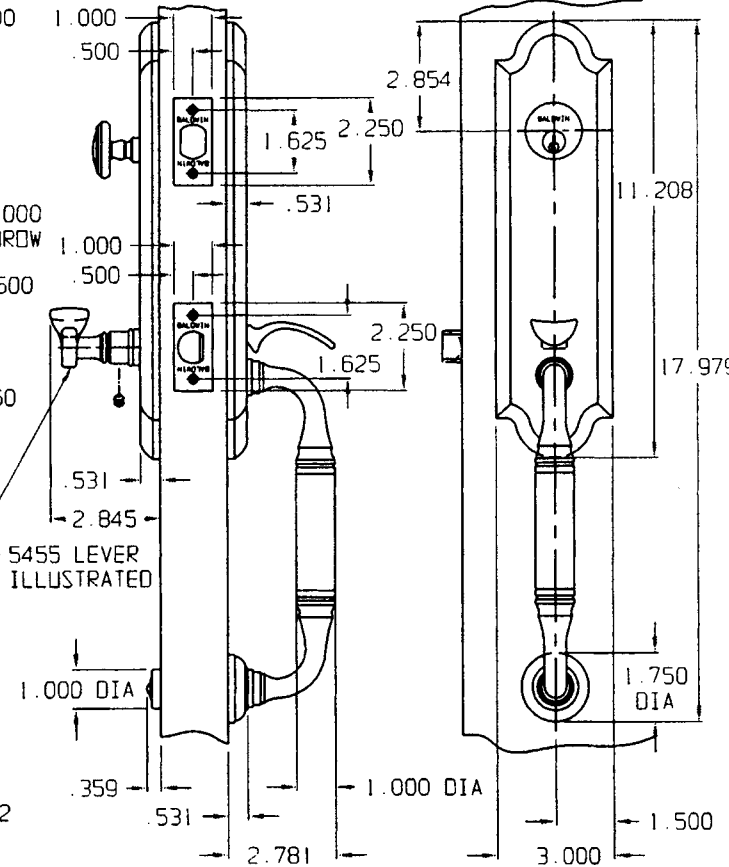


# INSIDE



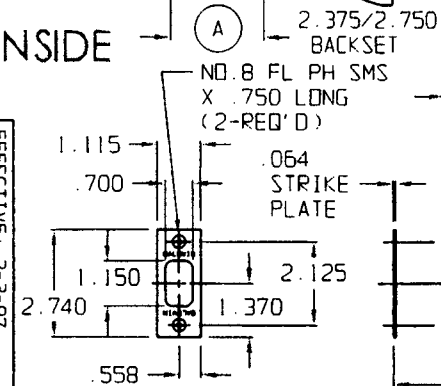
# TRIM DETAIL

RENT ILLUSTRATED

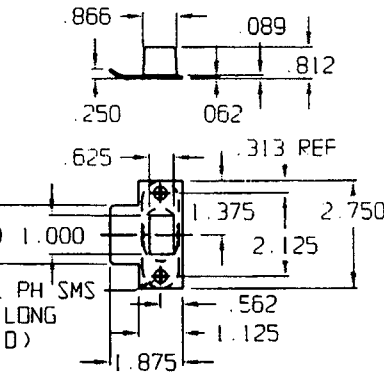
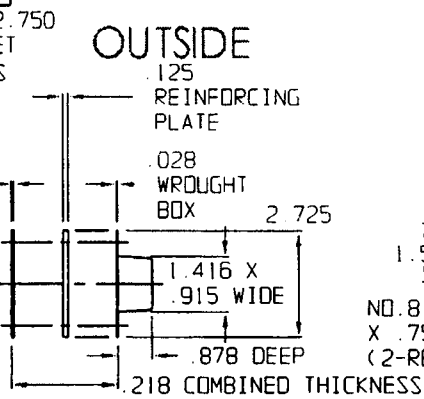


# OUTSIDE

# INSIDE



# OUTSIDE



DO NOT SCALE DRAWING

**BALDWIN**

5350 LENT/RENT

TEMPLATE NO. VARIATIONS

TEMPLATE NO.

© 1992 BY BALDWIN HARDWARE CORPORATION

IM034A

EFFECTIVE 2-3-97

DEADBOLT STRIKE, REINFORCEMENT PLATE, & WROUGHT BOX DETAIL

LATCH STRIKE & WROUGHT BOX DETAIL