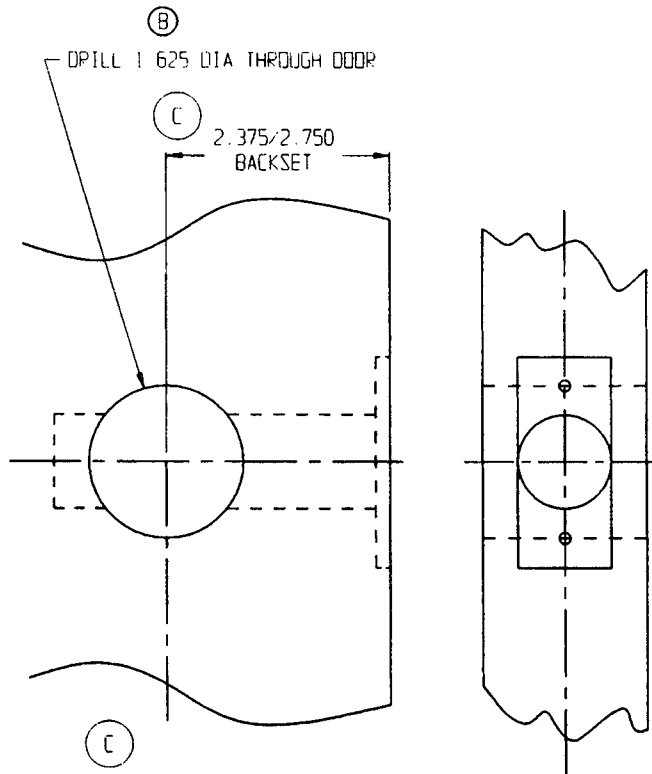
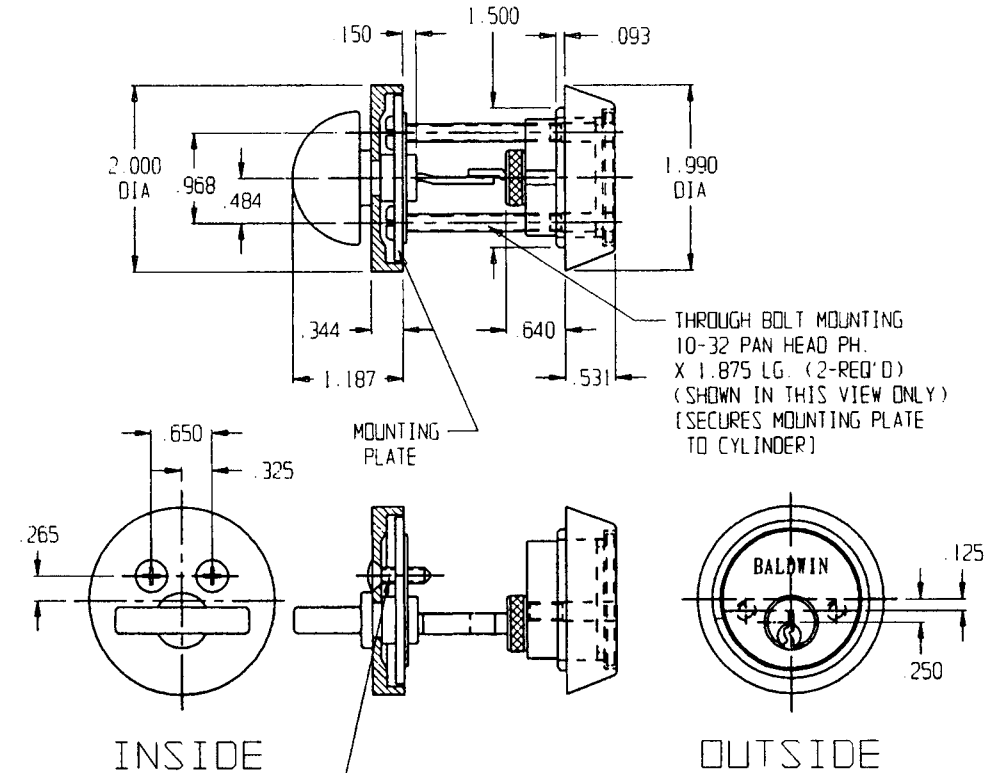


DOOR DETAIL



NOTE:
 1>REFER TO TEMPLATE #G009 FOR DEADBOLT DETAILS
 2>REFER TO TEMPLATE #G101 FOR STRIKE DETAILS.
 3>SCREW LENGTH AND TAILPIECE SPECIFICATIONS SHOWN ARE FOR 1 3/4" THICK DOORS. CONVERSION KITS ARE AVAILABLE FOR THICKER DOORS.

TRIM DETAIL



8-32 DH PH DRG POINT M/S X .625 LG. (2-REQ'D) (SECURES TURNPIECE ASSEMBLY TO MOUNTING PLATE)

DO NOT SCALE DRAWING

BALDWIN	
8041 CONTEMPORARY CYLINDER / TURNPIECE TRIM	
TEMPLATE NO. VARIATIONS	TEMPLATE NO.
	G041-C
© 1996 BY BALDWIN HARDWARE CORPORATION	