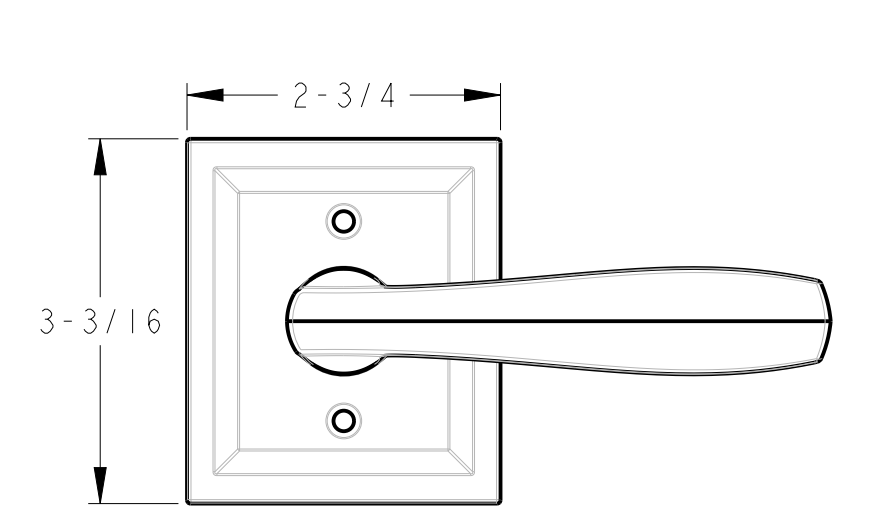
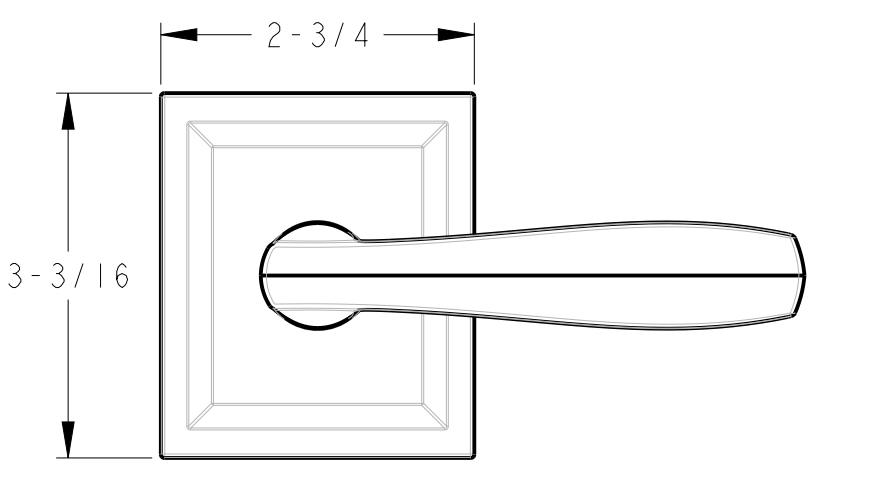
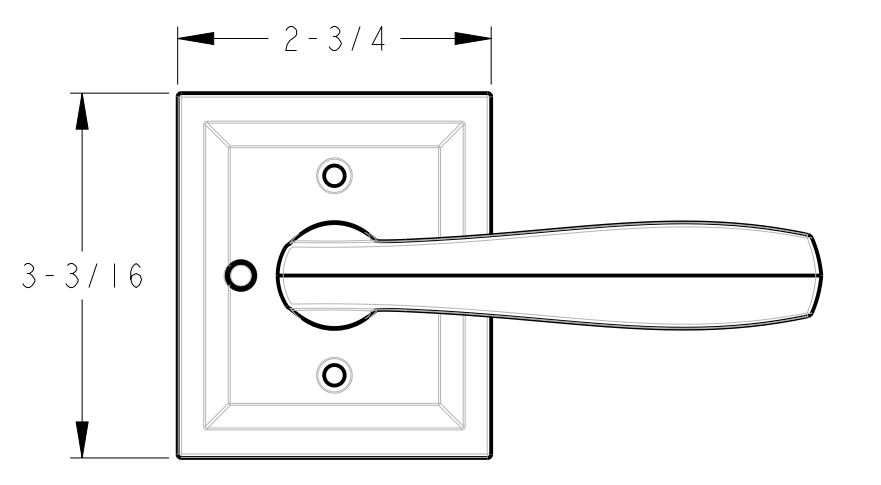
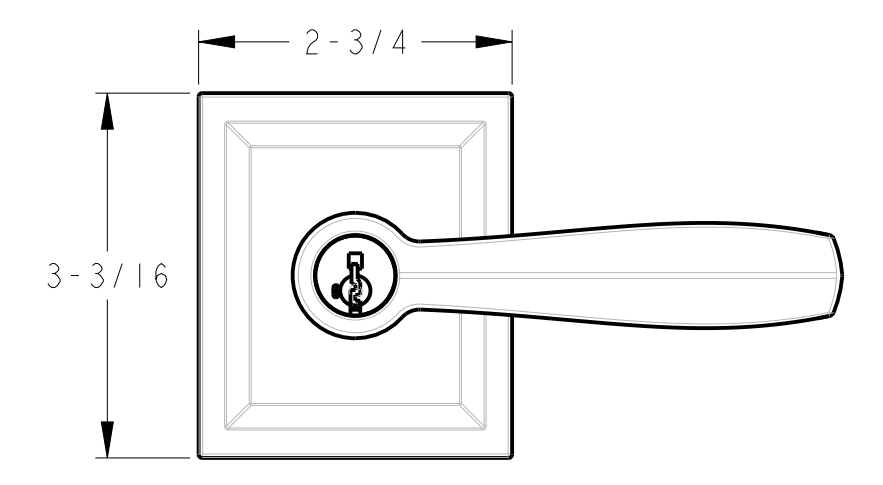
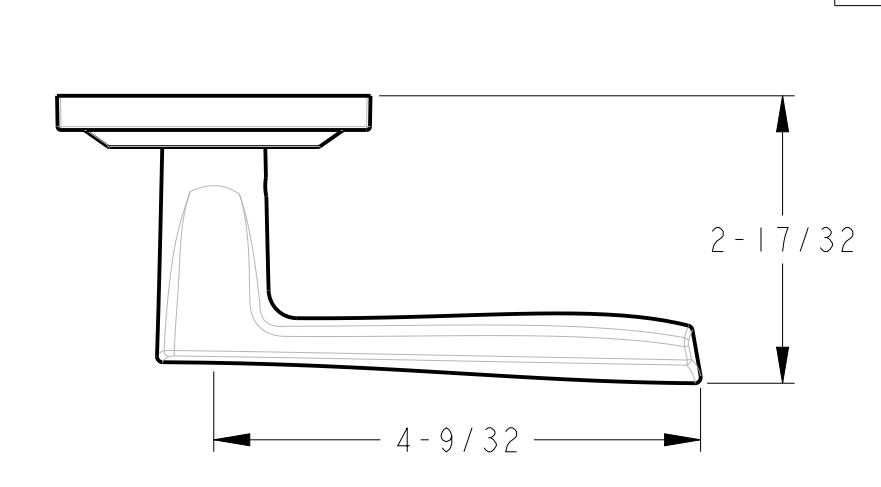
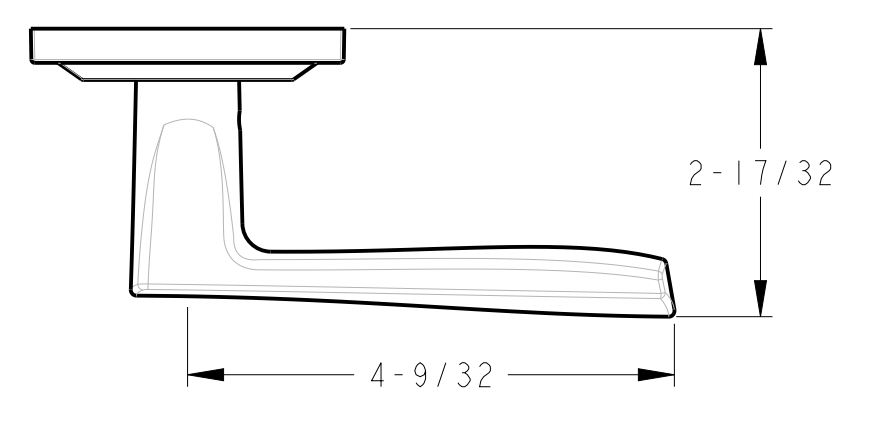
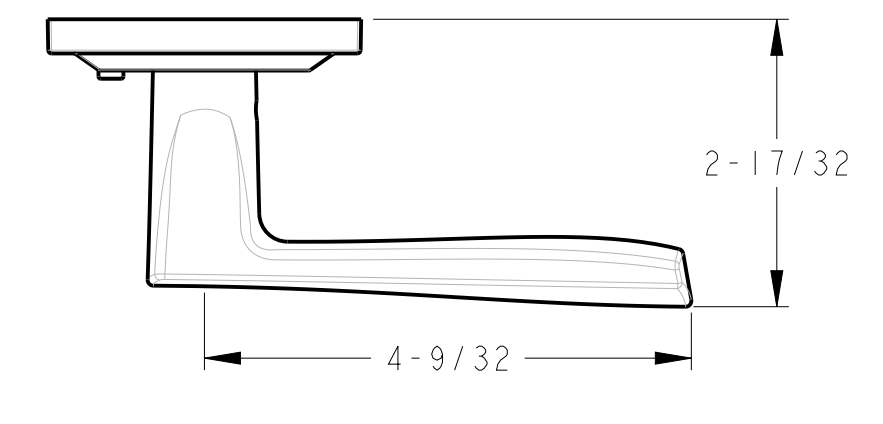
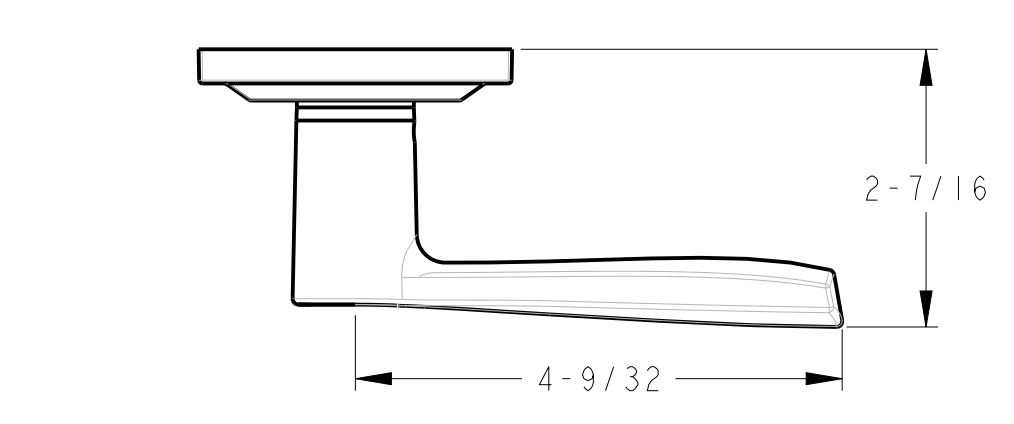


NOTES: UNLESS OTHERWISE SPECIFIED

REV	PDM REF	D:	M:	DATE	DRAFTER	ENGINEER	APPROVED BY

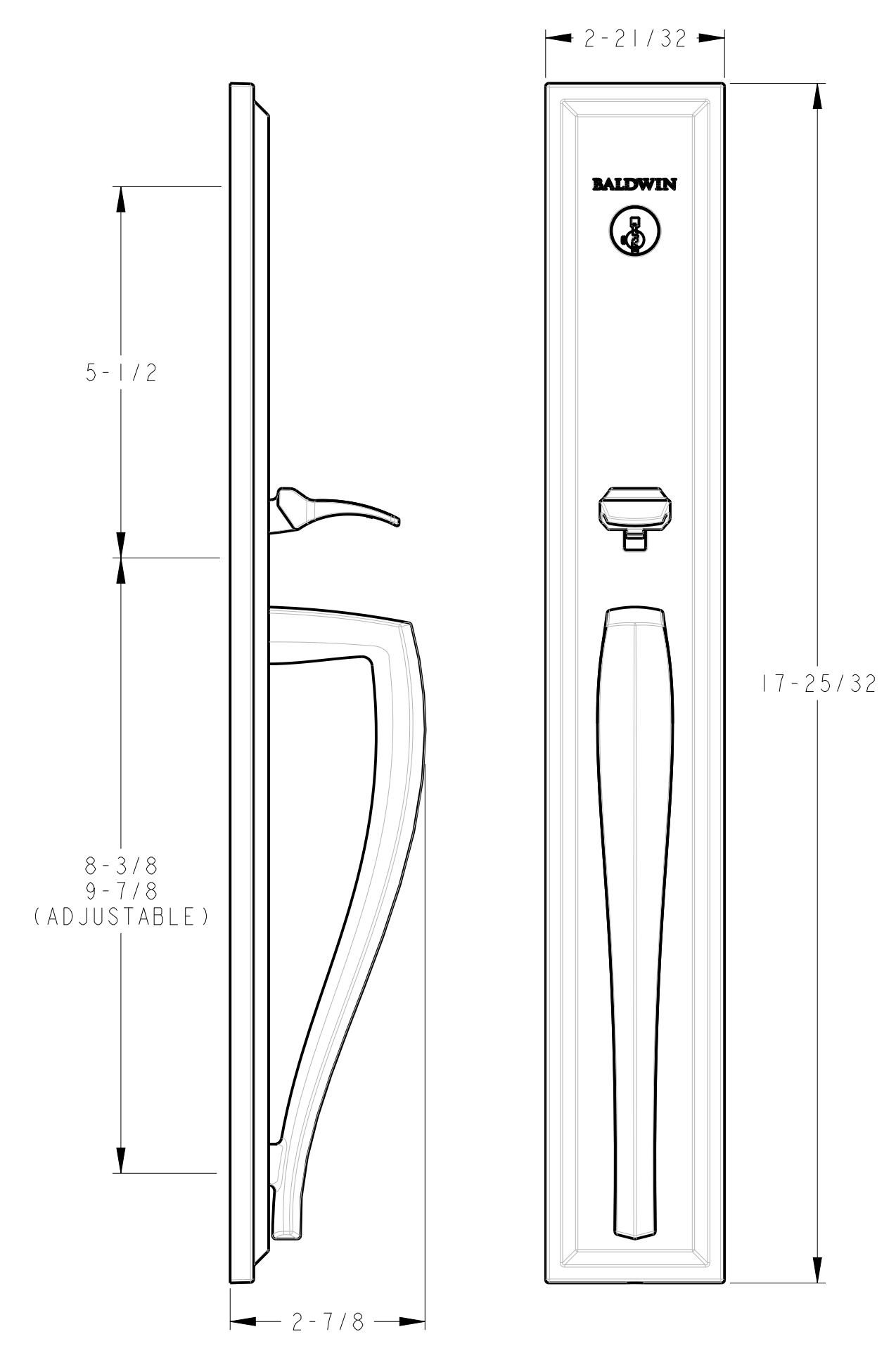


LEVER, ENTRY, TORREY PINES

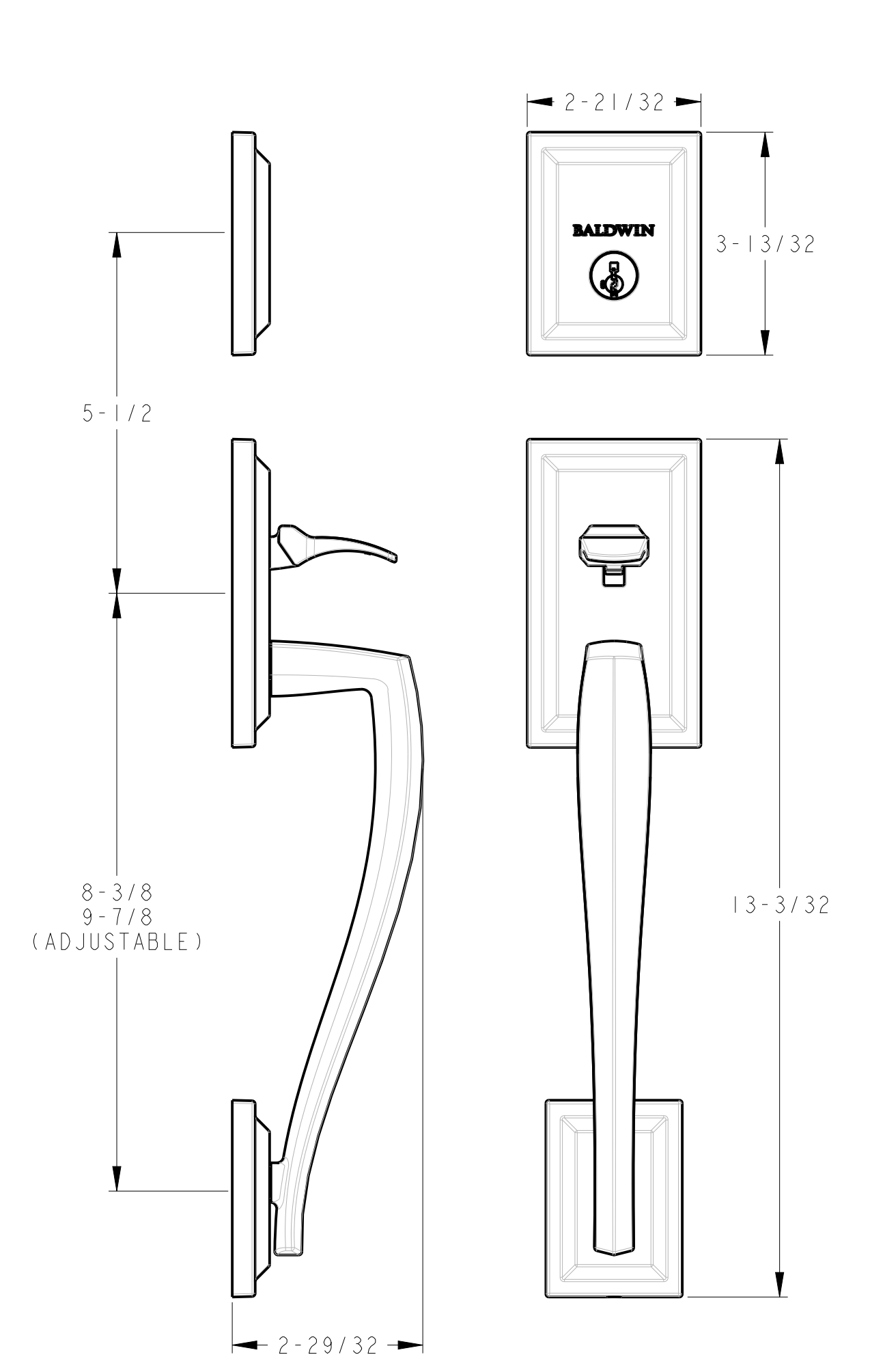
LEVER, PRIVACY, TORREY PINES

LEVER, PASSAGE, TORREY PINES

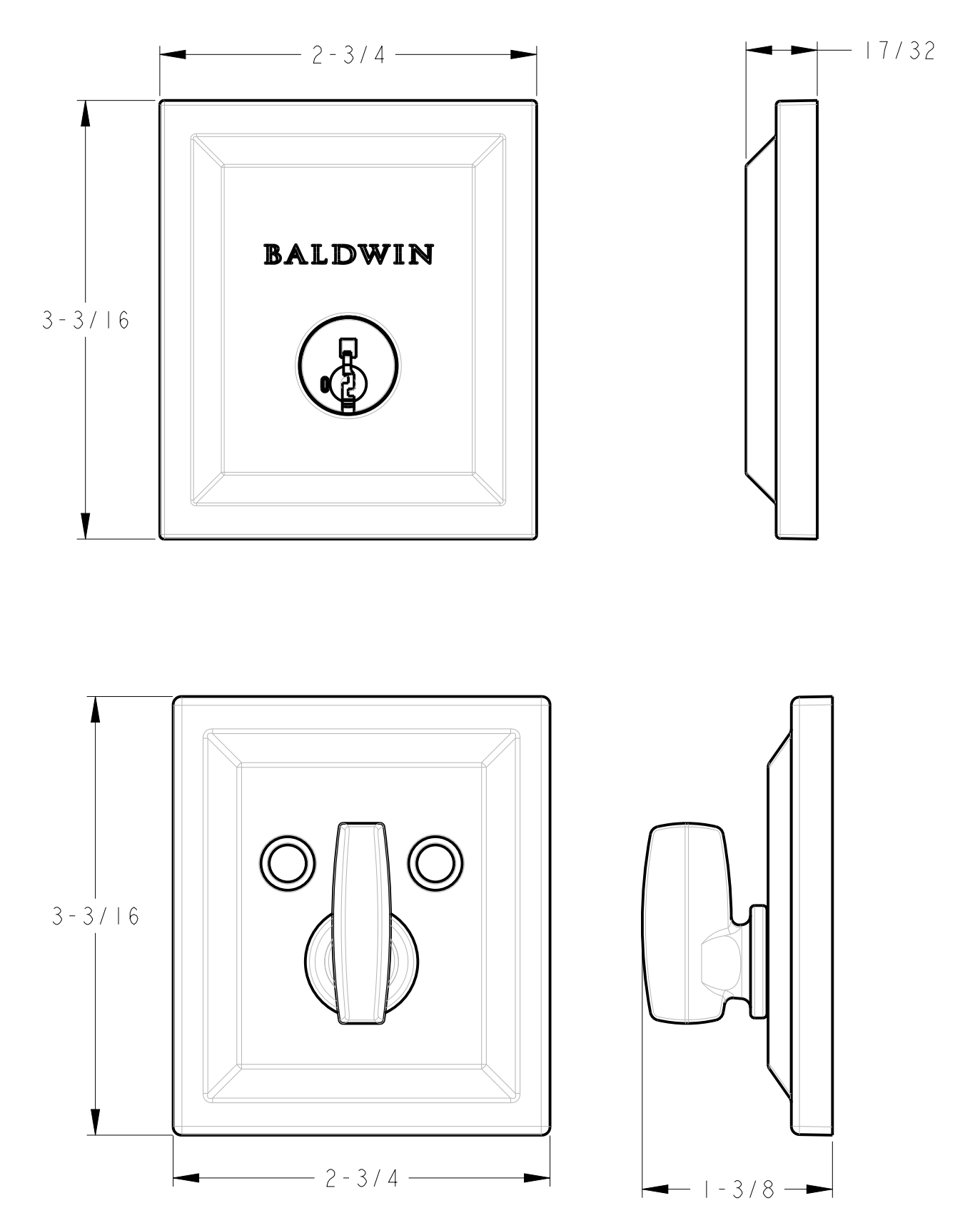
LEVER, DUMMY, TORREY PINES



HS, FULL, TORREY PINES



HS, SECTIONAL, TORREY PINES



DB, TORREY PINES



THIS DOCUMENT IS THE PROPERTY OF SPECTRUM BRANDS, INC. AND/OR ITS AFFILIATES. THE CONTENTS OF THIS DOCUMENT ARE CONFIDENTIAL AND CONSTITUTE TRADE SECRETS PROPRIETARY TO SPECTRUM BRANDS. NEITHER THIS DOCUMENT NOR ITS CONTENTS SHALL BE DISCLOSED TO ANY UNAUTHORIZED PERSON, COPIED, OR PUBLISHED WITHOUT SPECTRUM BRANDS' PRIOR WRITTEN CONSENT.

DRAFTER	DATE	SPECTRUM BRANDS, INC. HARDWARE AND HOME IMPROVEMENT 19701 DA VINCI, LAKE FOREST, CA 92610	
CHECKED	DATE	TITLE LINE ART, TORREY PINES	
ENGINEER	DATE	SIZE D	DO NOT SCALE DRAWING
APPROVED	DATE	DWG NO	ARTLINE.NEO
THIRD ANGLE PROJECTION		RELEASE STATE	REV
SCALE 1/9/32		SHEET 5 OF 5	