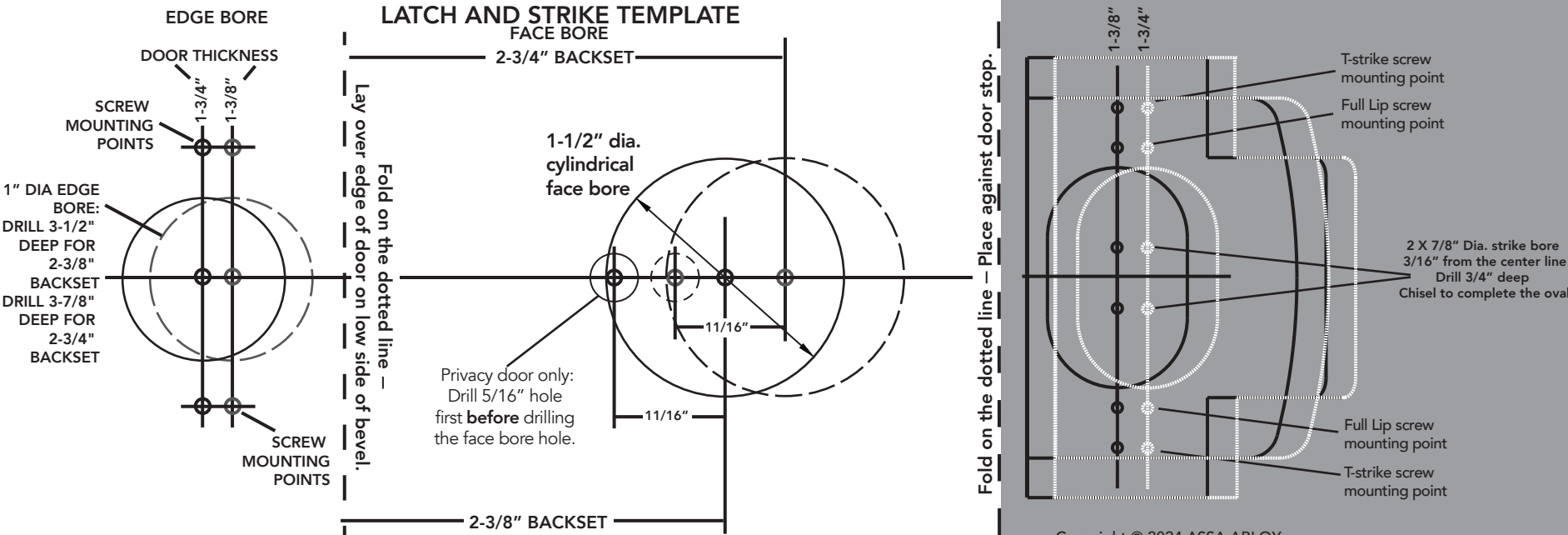


LATCH AND STRIKE TEMPLATE



DOOR THICKNESS

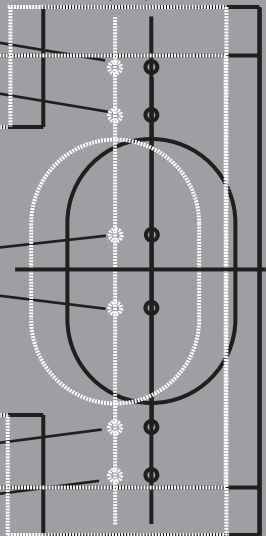
1-3/4"

1-3/8"

T-strike screw mounting point
Full Lip screw mounting point

Full Lip screw mounting point
T-strike screw mounting point

2 X 7/8" Dia. strike bore
3/16" from the center line
Drill 3/4" deep
Chisel to complete the oval



Fold on the dotted line — Place against door stop.

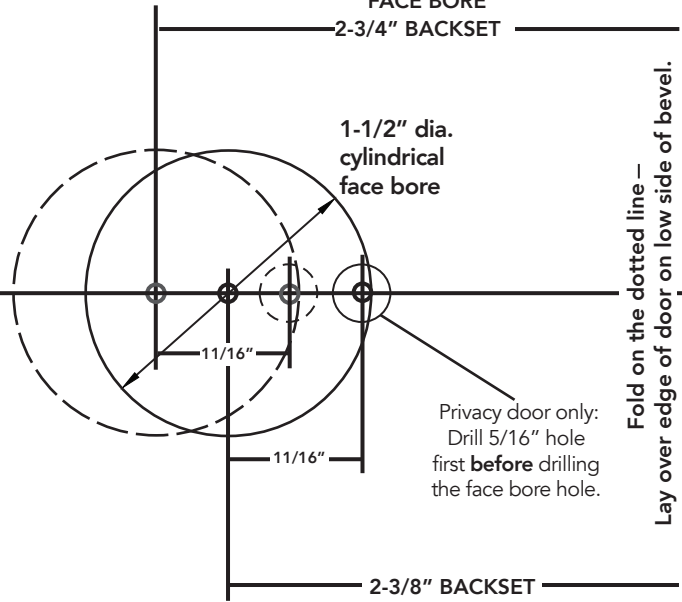
LATCH AND STRIKE TEMPLATE

FACE BORE

2-3/4" BACKSET

1-1/2" dia. cylindrical face bore

Privacy door only:
Drill 5/16" hole first **before** drilling the face bore hole.



EDGE BORE

DOOR THICKNESS

1-3/8"

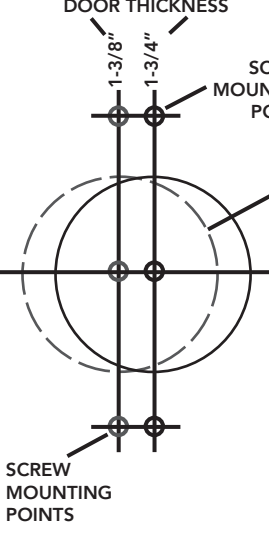
1-3/4"

SCREW MOUNTING POINTS

1" DIA EDGE BORE:
DRILL 3-1/2" DEEP FOR 2-3/8" BACKSET
DRILL 3-7/8" DEEP FOR 2-3/4" BACKSET

SCREW MOUNTING POINTS

Fold on the dotted line — Lay over edge of door on low side of bevel.



Copyright © 2024 ASSA ABLOY

Americas Residential Inc. All rights reserved