

BALDWIN

MULTI-POINT

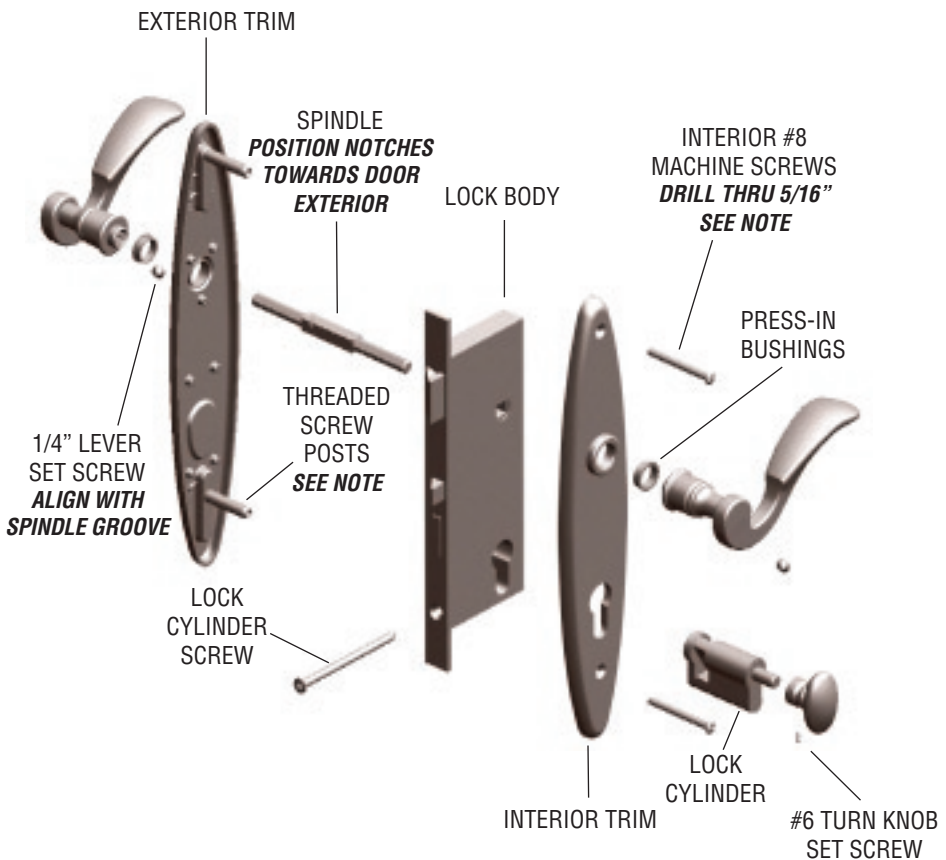
INSTALLATION INSTRUCTIONS

Patio Profile

Cylinder Function

Exploded View

SPRINGFIELD TRIM SHOWN
SEE HARDWARE
CATALOG FOR HOLE SPACING



#8 Machine Screws Note: Proper trim alignment requires installing the spindle and levers before completely securing the #8 screws.

Threaded Screw Posts Note: Length may need to be cut down to accommodate different door manufacturers' hole pattern.

BALDWIN

MULTI-POINT

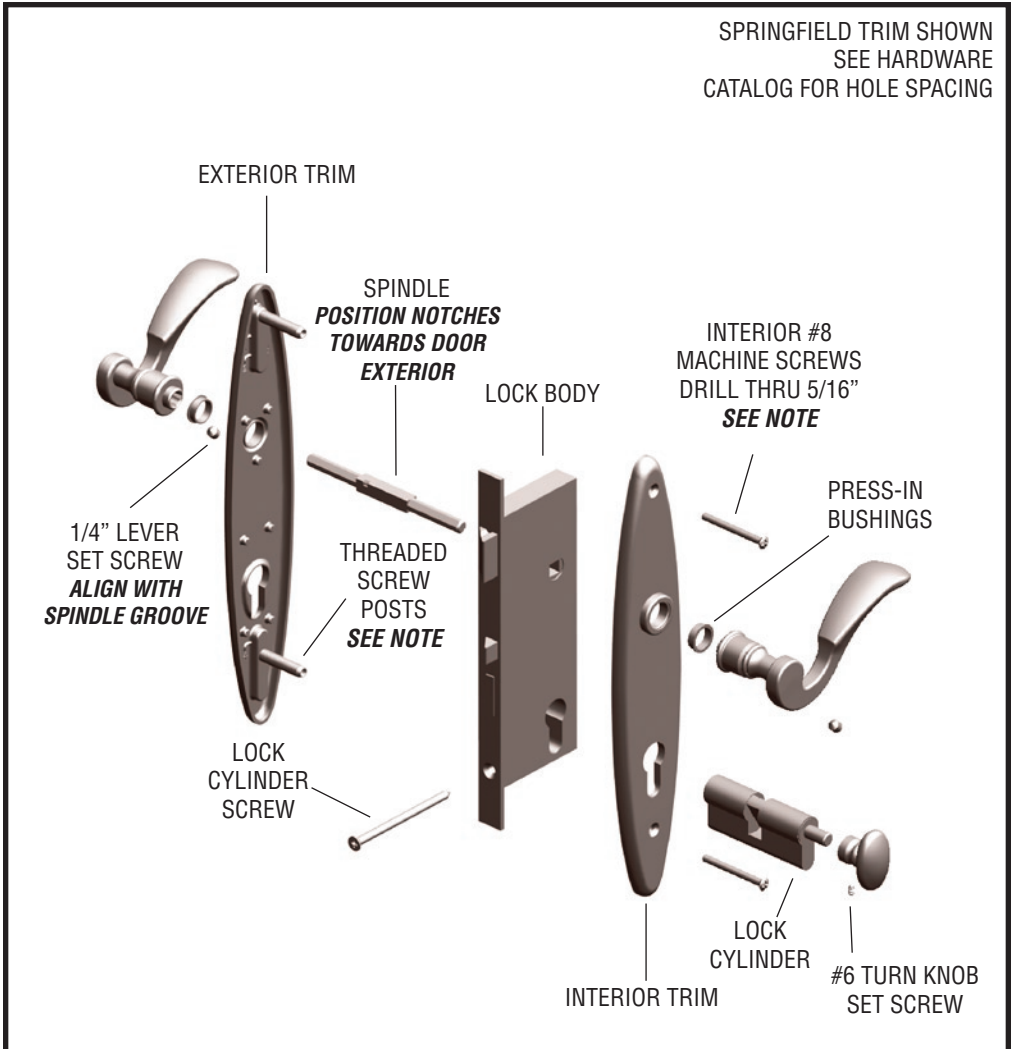
INSTALLATION INSTRUCTIONS

Entrance Profile

Cylinder Function

Exploded View

SPRINGFIELD TRIM SHOWN
SEE HARDWARE
CATALOG FOR HOLE SPACING



#8 Machine Screws Note: Proper trim alignment requires installing the spindle and levers before completely securing the #8 screws.

Threaded Screw Posts Note: Length may need to be cut down to accommodate different door manufacturers' hole pattern.